



TACT SWITCH

P/N:TSA06231

SPECIFICATIONS

Function: Momentary action
 Contact Arrangement: SPST, Normally Open
 Termination: THD version

Mechanical

Actuation Force: 180±50grams
 Life Expectancy: 100K Operations

Electrical

Contact Rating: 50mA @ 12V DC
 Dielectric Strength: 250V AC for 1minute
 Contact Resistance: 50mΩ Max.
 Insulation Resistance: 100MΩ Min.
 Travel: 0.25±0.1mm

Environmental

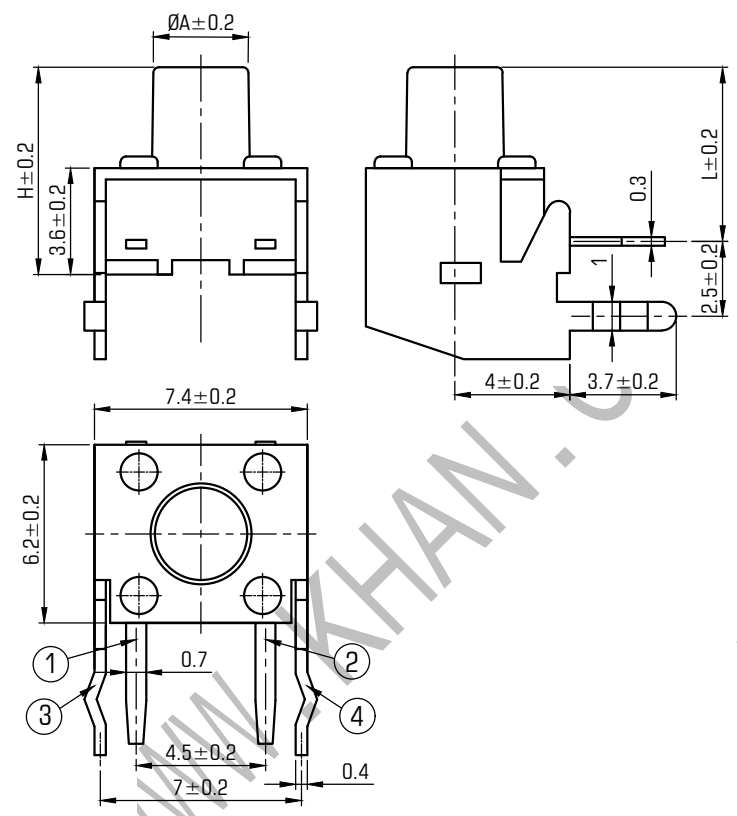
Operating Temperature: -25~+70°C
 Relative Humidity: (40°C) ≤95%

Materials

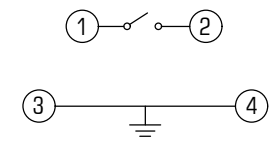
5.Cover: Ferrum with Copper and Tin Cladding
 4.Stem: Black GP.PA66
 3.Contact: Copper with Silver Cladding
 2.Holder: Black GP.PA66
 1.Terminal: Copper with Silver Cladding

Packaging

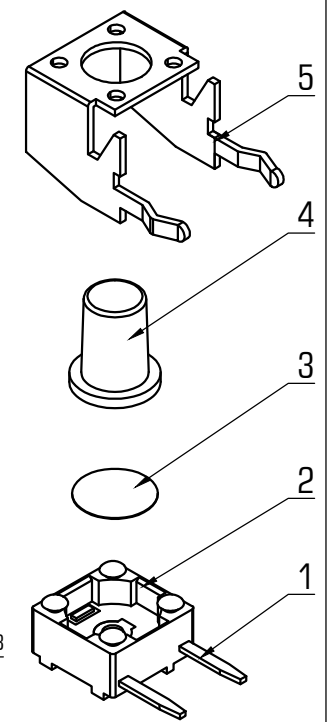
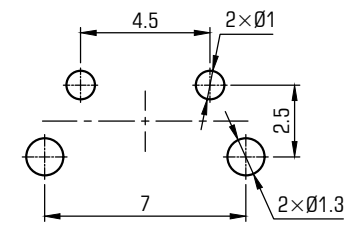
Bulk Package
 Inner Package: Plastic bag
 Outer Package: Carton



CIRCUIT DIAGRAM



P.C.B. LAYOUT



H	4.3	4.5	4.8	5	5.5	6	6.4	6.5	6.6	7	7.3	7.5	8
A	3.4	3.4	3.4	3.5	3.2	3.2	3	3.2	3.1	3.2	3.2	3.2	3.2
L	3.15	3.35	3.65	3.85	4.35	4.85	5.25	5.35	5.45	5.85	6.15	6.35	6.85
H	8.5	8.8	9	9.5	9.7	9.9	10	10.3	10.5	11	11.5	12	12.5
A	3.2	3.1	3.1	3.2	3.1	3.2	3.2	3.2	3	3.1	3.2	3.2	3.1
L	7.35	7.65	7.85	8.35	8.55	8.75	8.85	9.15	9.35	9.85	10.35	10.85	11.35
H	13	13.5	14	14.5	15	15.5	15.6	16	16.5	17	17		
A	3.2	3	3.2	3.1	3.1	3.2	3.1	3.2	3.2	3.2	2		
L	11.85	12.35	12.85	13.35	13.85	14.35	14.45	14.85	15.35	15.85	15.85		



VERSION		PROJECTION	DESIGN	YUDA AO
KH14FE22E			DRAWN	ZHIJIE LU
SCALE	SIZE	 Dimensions are shown:mm(inches)	APPROVAL	JUNHUI XU
4:1	A4		2016.08.26	