



TACT SWITCH

P/N:TSL06322

ILLUMINATED

SPECIFICATIONS

Function: Momentary action
 Contact Arrangement: SPST, Normally Open
 Termination: SMD version

Mechanical

Actuation Force: 180/250±50grams
 Life Expectancy: 500,000 Operations

Electrical

Contact Rating: 50mA @ 12V DC
 Dielectric Strength: 250VAC for 1minute
 Contact Resistance: 50mΩ Max.
 Insulation Resistance: 100MΩ Min.
 Travel: 0.25±0.1mm

Environmental

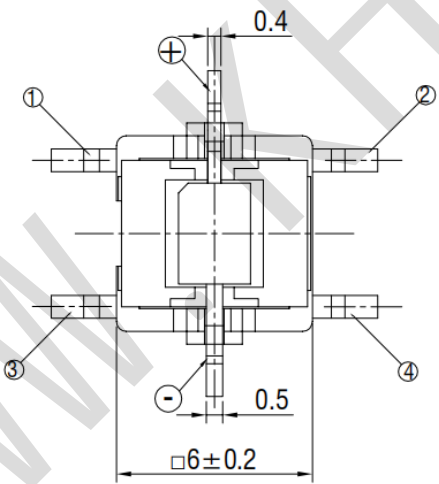
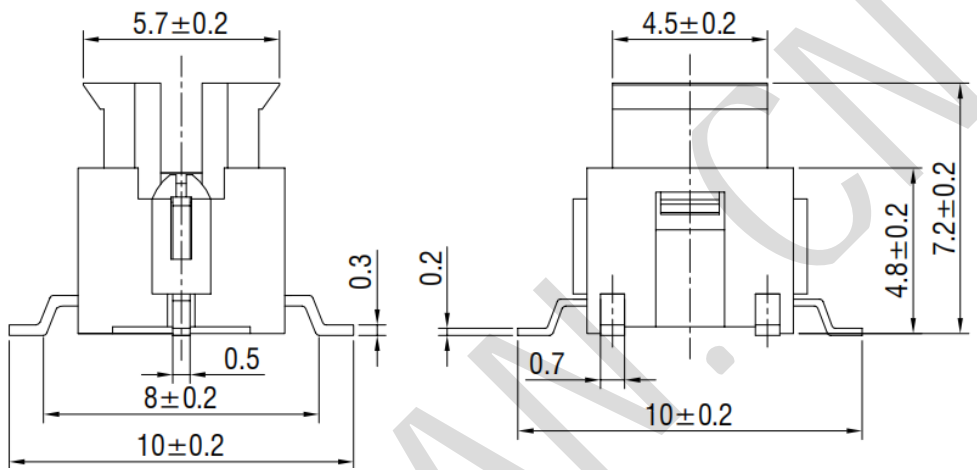
Operating Temperature: -25~+70°C
 Relative Humidity: (40°C) ≤95%

Materials

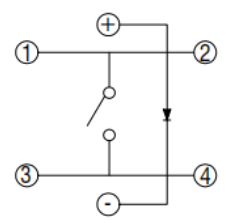
- 5.LED White, Orange, Blue, Yellow, Green, Red
- 4.Stem GP.PPA
- 3.Contact Stainless steel with Silver cladding
- 2.Holder Black GP.PPA
- 1.Terminal Copper (H62Y t=0.3)with Silver Cladding

Packaging

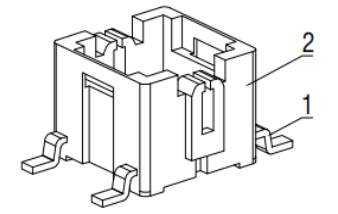
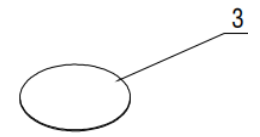
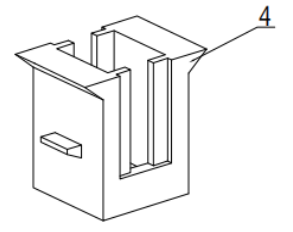
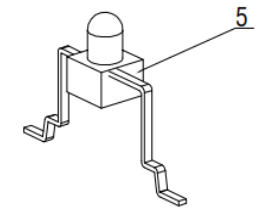
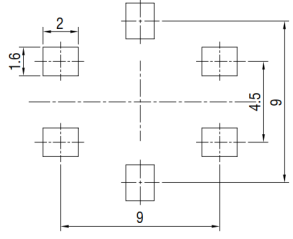
Bulk Package
 Inner Package: Plastic bag
 Outer Package: Carton



CIRCUIT DIAGRAM



P. C. B. LAYOUT



WENZHOU KHAN ELECTRONIC

VERSION		PROJECTION		DESIGN	Shuqing Zhu
KH14FE22E		 Dimensions are shown:mm(inches)		DRAWN	Wei Ling
SCALE	SIZE			APPROVAL	Johan Xu
4:1	A4	2021.07.26			