



# TACT SWITCH

P/N:TSL12122/TSL12121

ILLUMINATED



Professional Manufacturer Since 2000

## SPECIFICATIONS

Function: Momentary action  
 Contact Arrangement: SPST, Normally Open  
 Termination: THD version

### Mechanical

Actuation Force: 280±50grams  
 Life Expectancy: 100,000 Operations

### Electrical

Contact Rating: 50mA @ 12V DC  
 Dielectric Strength: 250VAC for 1minute  
 Contact Resistance: 50mΩ Max.  
 Insulation Resistance: 100MΩ Min.  
 Travel: 0.25±0.1mm

### Environmental

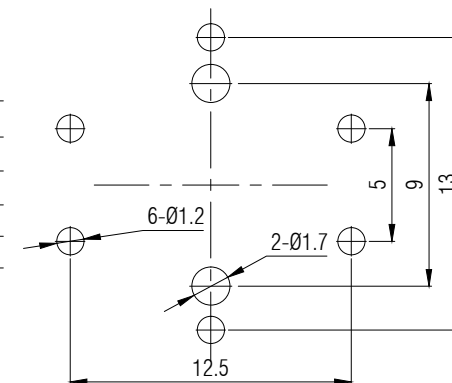
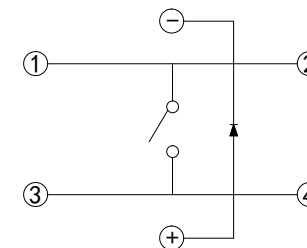
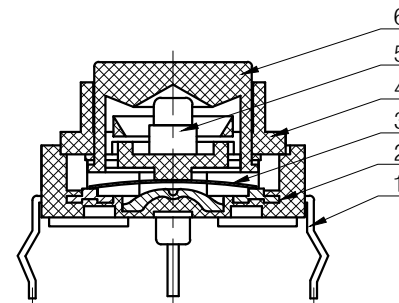
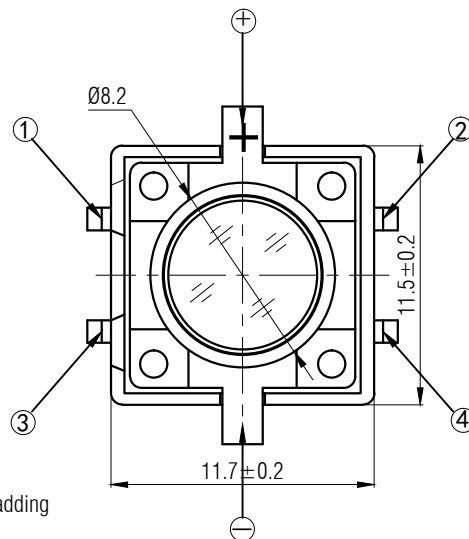
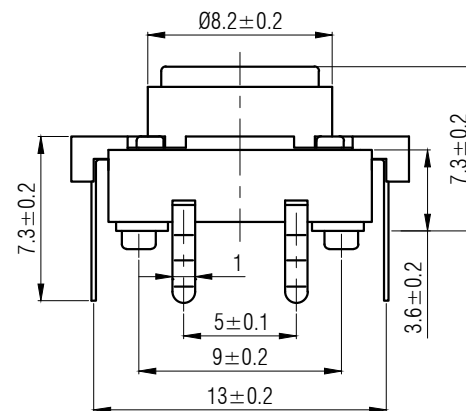
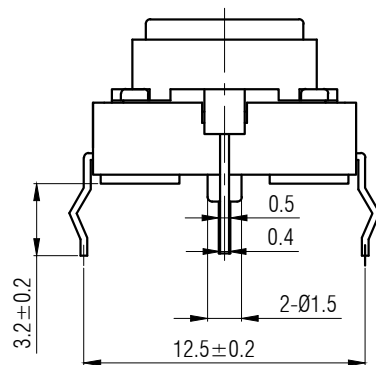
Operating Temperature: -25~+70°C  
 Relative Humidity: (40°C) ≤95%

### Materials

6.Cap: GP.PC transparent/Red  
 5.LED: Red  
 4.Cover: White GP.PC  
 3.Contact: Copper with Silver cladding  
 2.Holder: Black GP.PA66  
 1.Terminal: Copper (H62Y t=0.3) with Silver Cladding

### Packaging

Bulk Package  
 Inner Package: Plastic bag  
 Outer Package: Carton

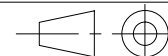


# KANGHONG ELECTRONIC

VERSION

KH14FE22E

PROJECTION



Dimensions are shown:mm(inches)

SCALE

3:1

SIZE

A4

2014.02.20

DESIGN

Yuda Ao

DRAWN

Rongsheng Liu

APPROVAL

Junhui Xu