



# TACT SWITCH

P/N:TSA45311-H



## SPECIFICATIONS

Function: Momentary action  
 Contact Arrangement: SPST, Normally Open  
 Termination: SMD version

### Mechanical

Actuation Force: 280±50grams  
 Life Expectancy: 100,000 Operations

### Electrical

Contact Rating: 50mA @ 12V DC  
 Dielectric Strength: 250V AC for 1minute  
 Contact Resistance: 100mΩ Max.  
 Insulation Resistance: 100MΩ Min.  
 Travel: 0.25±0.1mm

### Environmental

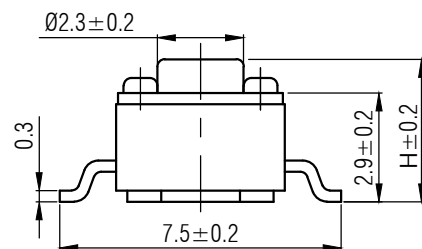
Operating Temperature: -25~+70°C  
 Relative Humidity: (40°C) ≤95%

### Materials

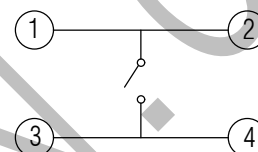
5.Cover: Copper with Nickelplate  
 4.Stem: Black GP.PPA  
 3.Contact: Stainless Steel with Silver cladding  
 2.Holder: Black GP.PPA  
 1.Terminal: Copper with Silver Cladding

### Packaging

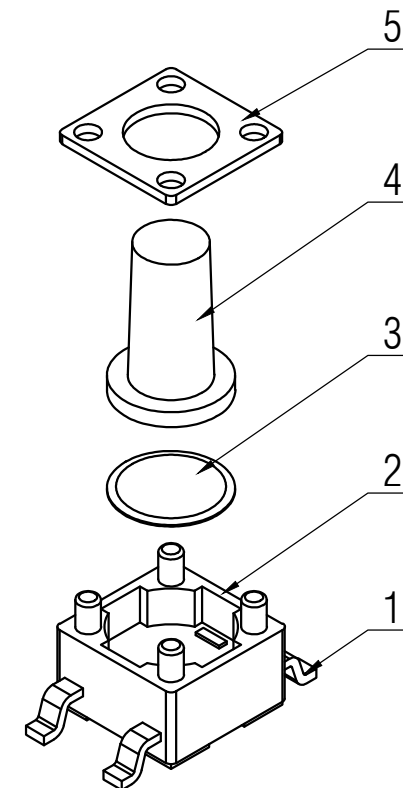
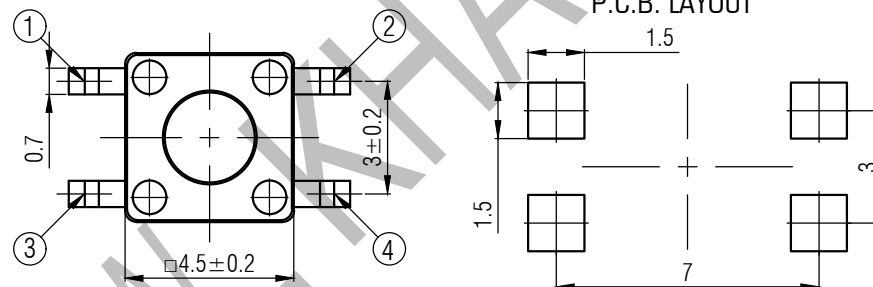
Bulk Package  
 Inner Package: Plastic bag  
 Outer Package: Carton



### CIRCUIT DIAGRAM



### P.C.B. LAYOUT



H	3.8	4.3	4.8	5	5.5	7.1
---	-----	-----	-----	---	-----	-----

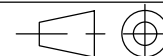


# KANGHONG ELECTRONIC

VERSION

KH14FE22E

PROJECTION



Dimensions are shown:mm(inches)

SCALE

5:1

SIZE

A4

2016.02.19

DESIGN

Yuda AO

DRAWN

Zhijie Lu

APPROVAL

Junhui Xu