



TACT SWITCH

P/N:TSL06121-1020

ILLUMINATED



SPECIFICATIONS

Function: Momentary action
 Contact Arrangement: SPST, Normally Open
 Termination: THD version

Mechanical

Actuation Force: 250±50grams
 Life Expectancy: 100,000 Operations

Electrical

Contact Rating: 50mA @ 12V DC
 Dielectric Strength: 250VAC for 1minute
 Contact Resistance: 50mΩ Max.
 Insulation Resistance: 100MΩ Min.
 Travel: 0.25±0.1mm

Environmental

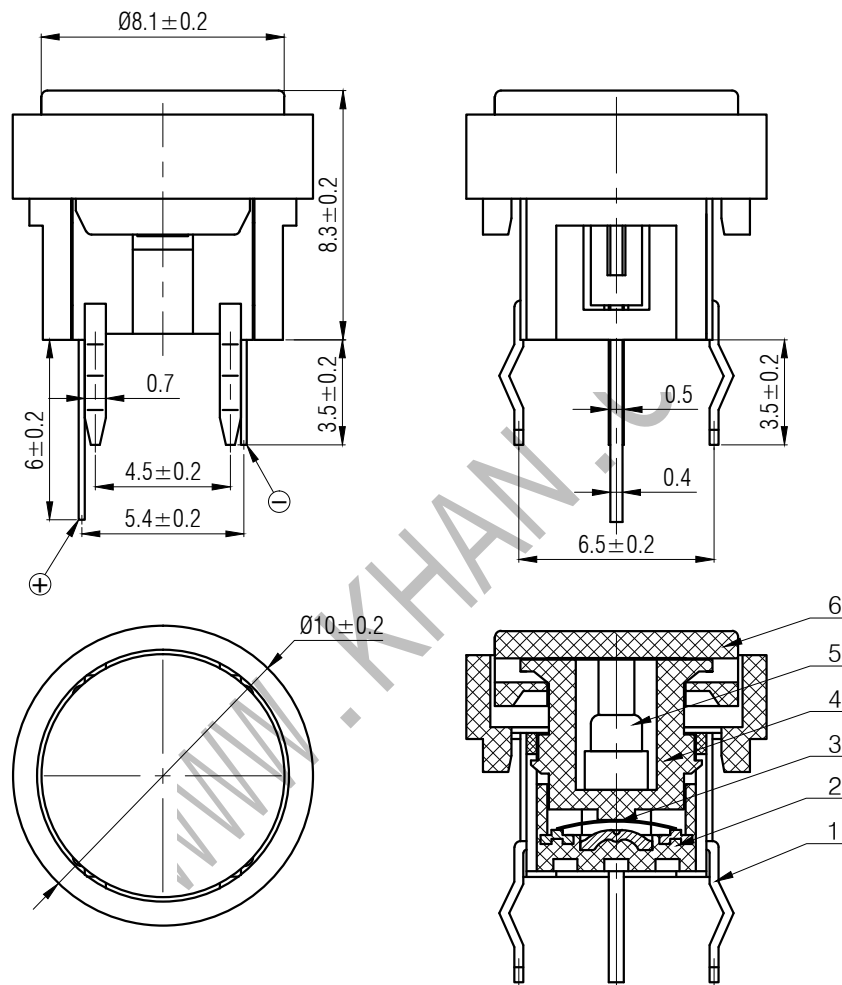
Operating Temperature: -25~+70°C
 Relative Humidity: (40°C) ≤95%

Materials

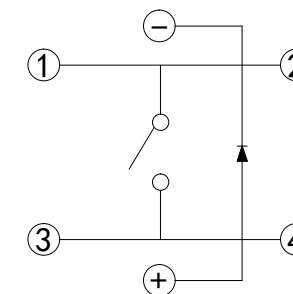
- 6.CAP GP.PC (frosted/transparent)
- 5.LED White
- 4.Stem: GP.PA66
- 3.Contact: stainless steel with Silver cladding
- 2.Holder: Black GP.PA66
- 1.Terminal: Copper (H62Y t=0.3) with Silver Cladding

Packaging

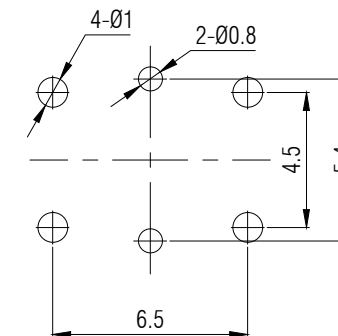
Bulk Package
 Inner Package: Plastic bag
 Outer Package: Carton



CIRCUIT DIAGRAM



P.C.B. LAYOUT



KANGHONG ELECTRONIC

| | | | |
|-----------|------|-------------------------------------|------------|
| VERSION | | PROJECTION | DESIGN |
| KH14FE22E | | | |
| SCALE | SIZE | Dimensions are shown:mm(inches) | DRAWN |
| 4:1 | A4 | | 2014.02.20 |