



TACT SWITCH

P/N:TSL06131

ILLUMINATED



SPECIFICATIONS

Function: Momentary action
 Contact Arrangement: SPST, Normally Open
 Termination: THD version

Mechanical

Actuation Force: 180±50grams
 Life Expectancy: 100,000 Operations

Electrical

Contact Rating: 50mA @ 12V DC
 Dielectric Strength: 250VAC for 1minute
 Contact Resistance: 50mΩ Max.
 Insulation Resistance: 100MΩ Min.
 Travel: 0.25±0.1mm

Environmental

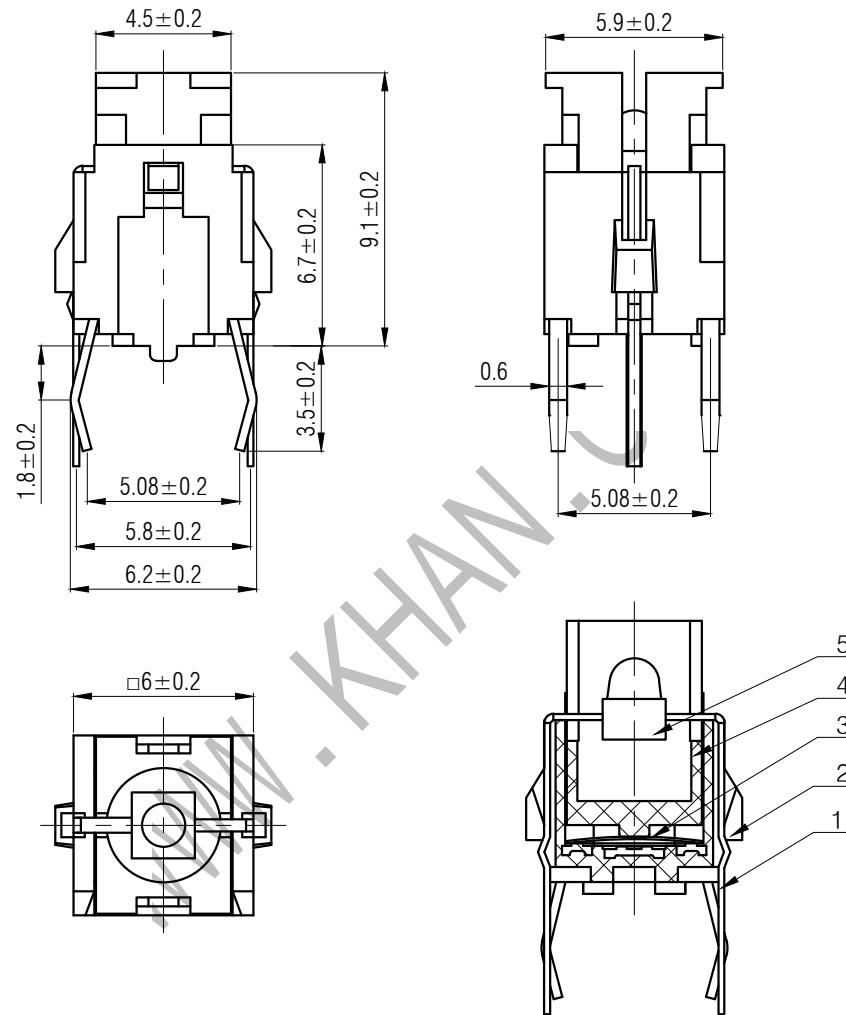
Operating Temperature: -25~+70°C
 Relative Humidity: (40°C) ≤95%

Materials

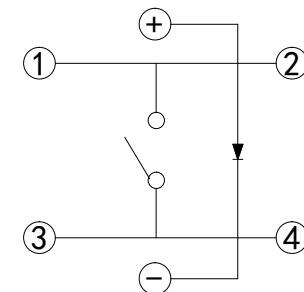
5.LED: White, Orange, Blue, Yellow, Green, Red
 4.Stem: GP.PA66
 3.Contact: Stainless steel with Silver cladding
 2.Holder: Black GP.PA66
 1.Terminal: Copper (H62Y t=0.3) with Silver Cladding

Packaging

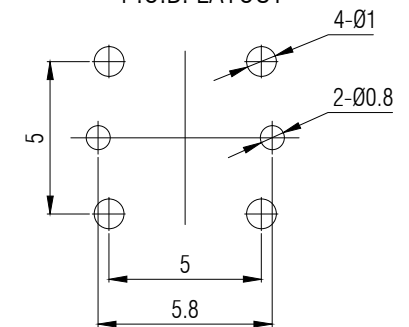
Bulk Package: Plastic bag
 Inner Package: Carton
 Outer Package: Carton



CIRCUIT DIAGRAM



P.C.B. LAYOUT

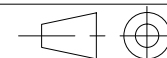


KANGHONG ELECTRONIC

VERSION

KH14FE22E

PROJECTION



Dimensions are shown:mm(inches)

SCALE

4:1

SIZE

A4

2014.02.20

DESIGN

DRAWN

APPROVAL